

AXESS PICK UP BOX 600

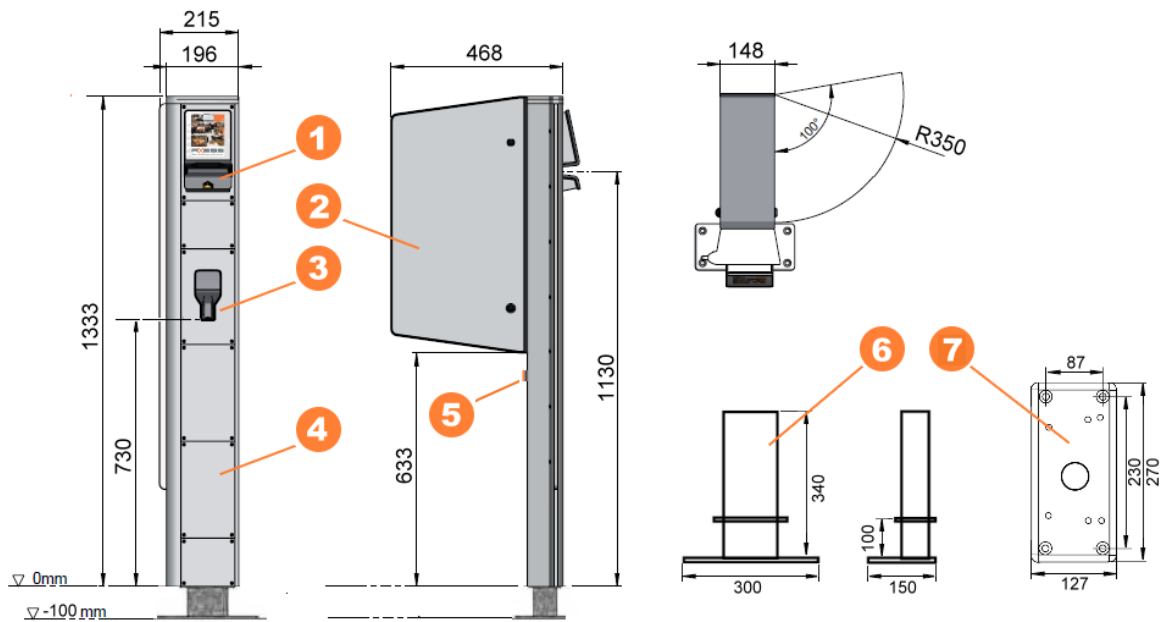


Axess PICK UP BOX 600 is our ticket machine for self-collection of prepaid tickets - Scan the barcode from a print@home voucher on paper or from an electronic voucher on your mobile device. The ticket is printed immediately, while you performed the ticket purchase prior at home, comfortably via Axess CONNECT.APP or in the web shop. The subsequent fast pick up of tickets at the Axess PICK UP BOX 600 enables your entry without waiting time.

Axess PICK UP BOX 600 is equipped with the **Axess SMART SCANNER 600** and the **Axess SMART PRINTER 600**. Thanks to its space-saving and robust design, the system is easy to integrate on site.

Features

- Axess SMART SCANNER 600; 2D barcode scanner; optional smart card function
- Swiveling reading support
- Vouchers also as e-tickets on mobile devices and smartwatches
- Generous 7" LCD touch screen; information, advertising, and interaction for guests and service crew
- Weatherproof; easy maintenance
- Axess SMART PRINTER 600; Ticket tray for up to 20 tickets



Axess PICK UP BOX 600
Dimensions in mm

- 1 Axess SMART SCANNER 600
- 2 Housing with lateral service door
- 3 Ticket issue

- 4 AX Smart Post
- 5 Type plate
- 6 Mounting adapter for concrete foundation
- 6 Base plate

Technical Data

Temperature	-20° to + 50°C
Humidity	10 % to 90 % not condensing
Protection Class	IP54; roofed location
Power Supply	24 VDC ± 5%
Power Consumption	Typically 50W, max. 200W
Interface	LAN (TCP/IP)
Dimensions	215 x 1333 x 528 mm (W x H x D)
Design	Aluminum, transparent anodized in RAL 7024; polycarbonate RAL 7024/7047

Housing

Dimensions	700x148x370 mm;
Design	Aluminum, powder coated RAL 7024

Lateral Service Door	350 mm radius
-----------------------------	---------------

Opening Angle	100°
----------------------	------

Mounting

Mounting Adapter	Optional 300 x 340 x 150 mm steel Galvanized for mounting in concrete; Foundation: minimum 1100 x 600 x 800 mm; frost depth
-------------------------	---

Base Plate	Base plate; 370 x 127 x 20 mm; Aluminum, transparent anodized for floor mounting
-------------------	--

Axess SMART PRINTER 600

Ticket Stacker	Up to 350 chip cards, removable
-----------------------	---------------------------------

Ticket Issue	Ticket tray for up to 20 tickets
---------------------	----------------------------------

Axess SMART SCANNER 600

Barcode Scanner	Camera scanner (imager) for recognition of barcodes on paper tickets, e-tickets and smartwatches (wristband function); Reads all common 2D and 1D barcodes; Generous scanning area, swiveling reading support
------------------------	---

Smart Card Function	Short Range Reader for smart card in ISO 15693/ISO 14443, (prepared for ISO 18000 NFC); transponder bracelet 13.56 MHz, output typ. 50 mW; Reading distance ≤ 10 cm, reading time <100ms
----------------------------	---

Display	7" PCAP touch LCD; 800 x 480; IPS; ~800 cd/m ²
----------------	---

Controller	Axess CONTROLLER 600 integrated
-------------------	---------------------------------

Optional

Internal power supply: 110/ 230 VAC

Signal lights, LED in red, green and orange

AX500 Gate Controller and AX500 Ticket Scanner in separate modules